

ZANUSSI

Instructions

for the use and care of

Z 19/5PR - ZC 19/5R

Z 19/15PR - ZC 19/15R

fridge - freezers

Installation

Caution

If this appliance featuring magnetic door seals is to replace an older appliance having a spring lock (latch) on the door or lid, be sure to make that spring lock unusable before you discard the old appliance. This will prevent it from becoming a death-trap for a child.

Electricity Supply

The appliance is for operation on a 220/240 V. 50 Hz supply, so be sure that your electricity supply voltage is within the range marked on the nameplate located inside the cabinet.

Earthing

WARNING: THIS APPLIANCE MUST BE EARTHED. The manufacturer declines any liability should this safety measure not be observed.

If the plug that is fitted to your appliance is not suitable for your socket outlet, it must be cut off and the appropriate plug fitted. The cut off plug should be disposed of to prevent the hazard of electric shocks in case it should be plugged into a 13 Amp socket in another part of your home.

Electrical connection

IMPORTANT: The wires in this mains lead are coloured in accordance with the following code:

GREEN AND YELLOW - EARTH
BLUE - NEUTRAL
BROWN - LIVE

If you fit your own plug, the colours of the wires in the mains lead of your appliance may not correspond with the markings identifying the terminals in your plug, this is what you have to do: Connect the green and yellow (earth) wire to the terminal in the plug which is marked with the letter "E" or the earth symbol \perp , or coloured green, or green and yellow.

Connect the blue (neutral) wire to the terminal in the plug which is marked with the letter "N" or coloured black.

Connect the brown (live) wire to the terminal which is marked with the letter "L" or coloured red.

The plug moulded on to the cord incorporates a fuse. For replacement use a 13 Amp BS 1362 fuse. Only ASTA approved fuses should be used.

The fuse cover/carrier must be replaced in the event of changing fuse.

The right fuse cover/carrier colour is the one shown by the coloured insert at the base of the plug.

The plug must not be used if the fuse cover/carrier is lost.

A replacement cover/carrier must be obtained from Zanussi Service Agents whose addresses are listed on the attached "Zanussi Service and Spares Nationwide".

This appliance complies with E.E.C. directive No. 76/889 of 4.11.76 relative to radio interference suppression.

Some models have the main terminal board of the type shown in fig.1. To gain access to the terminals of the supply cable, remove the lid from the terminal board by releasing the two catches "A" and "B" Fig.1 with the aid of a small blade screwdriver.

Location

Place the appliance away from all heat sources, such as: radiators, heating stoves, direct sunlight, etc. Best results are obtained with a room temperature ranging between $+16^{\circ}\text{C}$ and $+32^{\circ}\text{C}$ (for "class N" appliances). Make sure that there is nothing at the back or on top of the appliance to obstruct air circulation. Two adjustable feet at the cabinet base make it possible to accurately level the appliance.

Rear spacers

In the plastic envelope containing the Operating Instructions are also included two wall spacers to be fitted into the special openings provided on the back of the appliance.

Push-fit the spacers into the openings as shown in Fig. 2 and then turn them clockwise through approx. 45° until they lock in.

Cleaning the interior

Before using the fridge - freezer for the first time, wash the interior with lukewarm water and some neutral soap so as to remove the typical smell of a brand-new product, then dry thoroughly. Do not use detergents which will leave an odour or abrasive powders on the interior, as these will damage the finish.

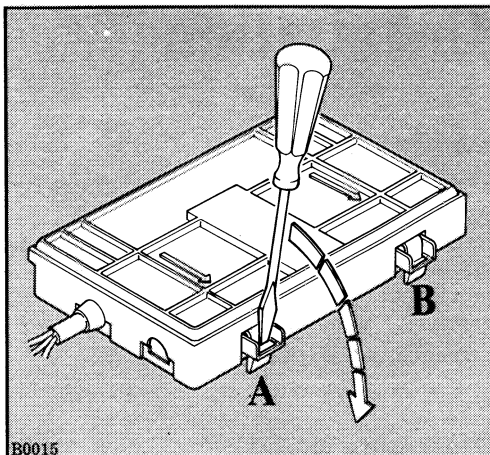


fig. 1

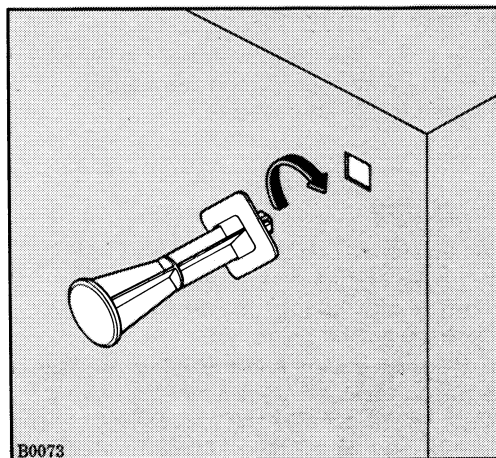


fig. 2

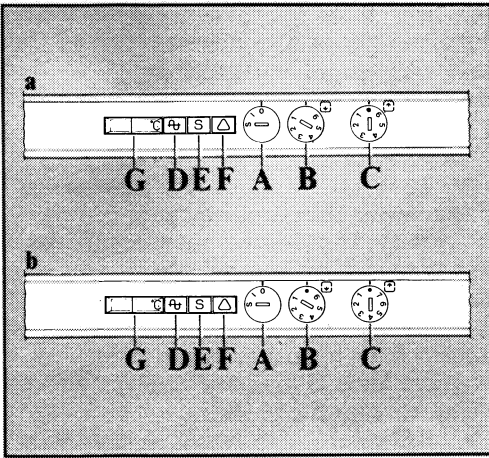
Control panel

(Fig. 3 - a-b)

Controls & warning lights

- A - Main control knob and SUPER-Operation (quick freeze) switch-on
- B - Freezer compartment thermostat knob for temperature adjustment
- C - Refrigerator compartment thermostat knob for temperature adjustment
- D - Operating light
- E - Super-Operation control light
- F - Red warning light
- G - Analog thermometer (for models featuring this device)

fig. 3



Operation

Foreword

This appliance is divided into two separate compartments:

The upper compartment (refrigerator) is suitable for drinks refrigeration and normal food storage.

The lower compartment marked by the 4-star symbol **❄️❄️❄️❄️**, is suitable for long-term storage of commercially frozen food marked by the symbol **❄️❄️❄️** (e.g. 3 months, unless otherwise stated by the producer), as well as for freezing in fresh food.

The recommended storage times indicated by the producers on commercially frozen food packets should never be exceeded.

Starting up Temperature adjustment

Fig. 3-a-b shows the controls available on the control panel to start the appliance and to adjust the temperature in the two compartments.

To start the appliance, insert the plug into the wall socket and turn the main control knob "A" clockwise until the index coincides with the symbol "I" (operating light "D" comes on).

Adjusting the temperature in the freezer compartment **❄️❄️❄️**

For a safe storage of frozen and deep-frozen food, the temperature in the freezer should never be higher than -18°C .

We suggest that you first turn temperature control knob "B" to position 4.

With the knob on this setting (Storage), the temperature inside the freezer is automatically adjusted by the thermostat to ensure safe storage of the food.

However, if the appliance works in unfavourable room conditions such as poor ventilation, high ambient temperature and frequent door openings, it might be necessary to select a more suitable setting.

Turn knob "B" to the higher numbers to obtain lower temperatures and, conversely, to the lower numbers if a less cold temperature is required.

To stop operation of the freezer compartment (only for preset models whose control panel is shown in Fig. 3-b), turn knob B until the symbol "●" coincides with the index.

Adjusting the temperature in the refrigerator compartment

To operate the refrigerator compartment, turn the thermostat knob "C" clockwise to the required setting: a medium setting is generally the most suitable.

However, turn the knob clockwise to higher numbers, to obtain a lower temperature, or anticlockwise if a higher temperature is required. To stop operation of the refrigerator compartment, turn the knob until the symbol "●" coincides with the index (C fig. 3-a-b).

Useful hints

The red warning light "F" (Fig.3.a-b) indicates (when it lights up) that the temperature in the freezer has climbed to a level where the safe storage of frozen food is no longer ensured.

Needless to say, when the appliance is first started or when fresh food to be frozen is first placed in the freezer, this warning light will stay on until the temperature has dropped to a safe level for the storage of the foodstuffs.

Thermometer "G" (Fig.3.a-b) (for models featuring this device) on the control panel makes it possible to read the average temperature in the freezer.

Opening the door too frequently or leaving it open longer than absolutely necessary will affect the temperature indicated by the thermometer. Substantial temperature variations may also occur if fresh food in a quantity exceeding the maximum shown on the rating plate is put into the freezer.

On the door liner of the freezer compartment you will find a pictorial guide with numbers shown next to each type of meat or food and these numbers indicate the approximate storage times in months from the freeze-in date.

On the front part of the sliding drawers are fitted special cards which can be taken out and on which you may enter by pencil a description of the contents.

Freezing fresh food

To quick-freeze fresh food, when the appliance is not operating, you should first depress the fast-freezing switch (controls "A" on the SUPER position) and leave it there for at least 3 hours before putting any food into the freezer. If, however, the freezer is already operating, set the temperature control on the fast freeze position (controls "A" on the "S" SUPER position) at least 24 hours prior to putting any food in (when the pilot light "E" is lit, it means that the appliance is in the fast freeze position). In this appliance the quick-freeze compartments are located one in the upper part and the other one in the lower part of the freezer.

Fresh food to be frozen should be split as follows between these two compartments: 4/5 in the upper compartment and 1/5 in the lower compartment. After the fresh food is placed in the freezer, the freezing process can be regarded as completed after 24 hours have elapsed from its beginning; you may then return the freezer to normal "storage" operation (control "A" on position "I", pilot light "E" off).

To obtain the best results from the freezing process, here are some important and useful hints:

The maximum amount of food that can be frozen in 24 hours is the following:

mod. Z19/5PR - ZC19/5R - Kg 18
Z19/15PR - ZC19/15R - Kg 15

only freeze in top quality, fresh and thoroughly cleaned foodstuffs. Prepare the fresh food in small portions to permit rapid and complete freezing of the same and to make it possible to thaw only the quantity required.

Remember that once thawed frozen food deteriorates rapidly even if it is refrozen again.

Also remember that lean foodstuffs store better and longer than fat foodstuffs and that salt reduces the storage periods.

Wrap up the food in aluminium foil or polythene and make sure that the packages are airtight. This will preserve the colour, taste, and nutritional values of the food.

During the freezing-in operation, do not add fresh food to be frozen and do not open the freezer door.

Avoid placing fresh food to be frozen directly in touch with already frozen food, thus avoiding a rise in temperature of the latter.

Do not put in the freezer carbonated liquids (fizzy drinks, etc.) as they could burst. Never introduce warm liquids or foodstuffs and do not fill covered containers to the brim.

It is advisable to show on the single food packet or on the write-on produce strips to be found on the front part of the storage baskets (in the models incorporating this feature) the freezing-in date to enable you to keep tab of the storage time.

If the frozen food is accidentally thawed, such as in the case of a prolonged power failure, the food will have to be consumed within a very short time or be cooked and refrozen.

If the power failure is of short duration and the freezer is fully loaded, the frozen food will not be affected.

Storage of frozen food

Gross storage capacity:

Mod. Z19/5PR - ZC19/5R 335 Litres

Z19/15PR - ZC19/15R 335 Litres

Net storage capacity:

Mod. Z19/5PR - ZC19/5R 300 Litres

Z19/15PR - ZC19/15R 300 Litres

If the appliance has not worked previously or after a period of inaction, it must be left to run for at least two hours with the fast-freeze switch on position "Super", prior to introducing frozen food. Conversely, if the freezer is already running, this precaution will not be necessary.

In the first case, after the freezer has been working for at least 2 hours on position "S" and after introducing the frozen food, return the freezer to the normal storage position (control "A" on position "I" with pilot lamp "E" off). To obtain the best performance from this appliance, we strongly recommend that you make sure that the commercially frozen foodstuffs were adequately stored by the retailer and, furthermore, be sure that these frozen foodstuffs are transferred from the foodstore to the consumer in the shortest possible time (a temperature increase of the frozen food could shorten its storage period).

It is also advisable not to exceed the storage period indicated by the producer of the food.

Finally, do not open the door frequently or leave it open longer than is absolutely necessary.

Attention

Water ices, if consumed immediately after removal from the freezer, can possibly result in a low-temperature skin burn condition.

If there is a power failure during the storage of frozen food, do not open the door during the whole time of the failure. If the freezer is fully loaded, the frozen food will not be affected if the power cut is of short duration; otherwise, it is recommended to consume the food within a very short time.

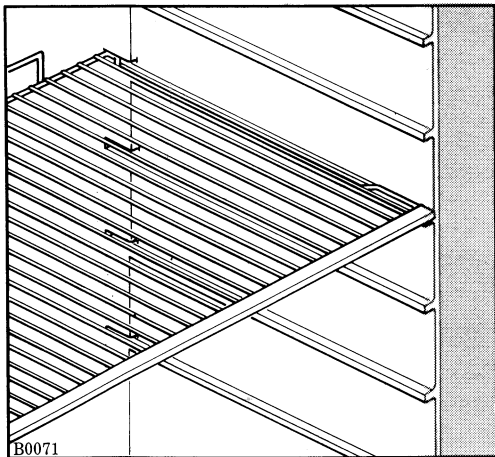


fig.4

Thawing

Deep-frozen or frozen food, prior to being used, can be thawed in the refrigerator compartment or at room temperature, depending on the time available for this operation.

Small pieces may even be cooked still frozen, directly from the freezer: in this case, cooking will take longer.

Normal storage of fresh food in the refrigerator

To obtain the best performance from your appliance, follow these simple rules: never place warm food or evaporating liquids into the refrigerator, do cover or wrap all food, particularly if it has a strong flavour; do not cover the shelves with any protective material, such as paper, cardboard or plastic, which may obstruct the free circulation of air in the fridge.

To help you use your refrigerator correctly, here are some useful hints:
raw meat (beef, pork, lamb & wild fowl): wrap in polythene bags and place on top of the vegetable crispers. Meat can only be stored safely in this way for one or two days at the most;
cooked food, cold cuts, jelly etc.: these should be well covered and can be stored on any of the shelves;
fruit & vegetables: these should be thoroughly cleaned and placed in the bottom drawer.

butter & cheese: these should be placed in special airtight containers or wrapped in aluminium foil or polythene bags to exclude as much air as possible.

milk bottles: these should have a cap and should be stored in the bottle rack on the door.

The inner walls of the refrigerator compartment incorporate a number of shelf-carrying runners which allow the shelves to be placed at various levels (Fig.4).

Drink-chiller

(For models incorporating this feature)

The drink-chiller, which - depending on the type of appliance - is located either on the inner door or on the inner liner ceiling of the refrigerator compartment, can easily be removed from its runners for filling up.

To draw out the drink, push the glass against the arms of the special dispenser tap. When the glass is removed, the tap closes automatically.

To clean the drink-chiller, fill with hot water, let it cool and rinse a few times. For a more accurate cleaning it would help adding a tablespoonful of bicarbonate of soda, then wash taking care to close and open the tap several times so as to clear it of any sugar deposits that may have formed. Empty the container and rinse with clean water.

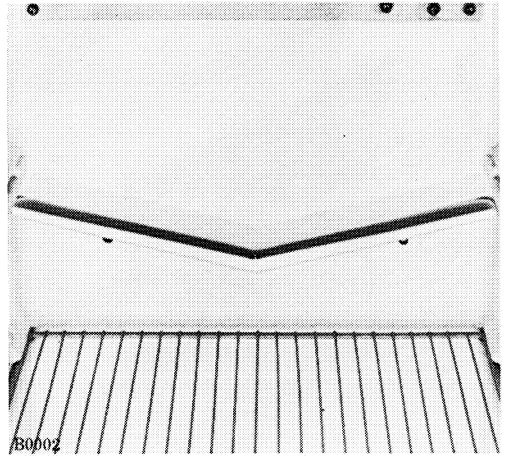


fig. 5

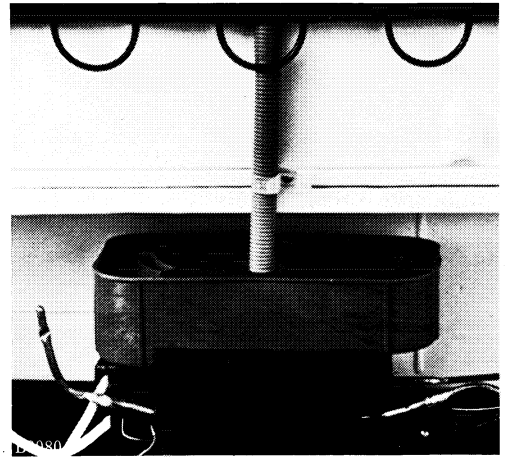


fig. 6

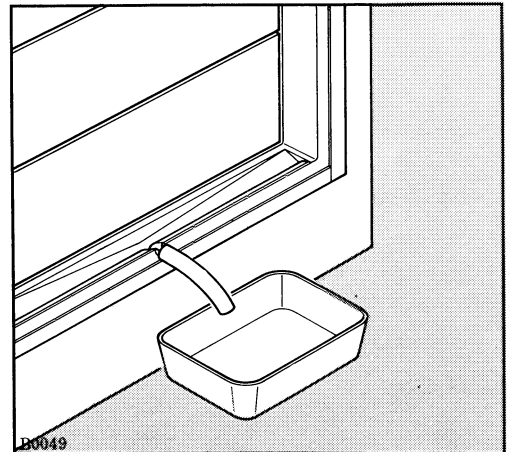


fig. 7

Defrosting the fridge-freezer

Frost is automatically eliminated from the evaporator of the refrigerator compartment every time the compressor stops.

Defrost water drains out through a trough (Fig. 5) into a special container on the back of the appliance where it evaporates (Fig. 6).

The inner walls of the freezer, instead, become gradually covered with a layer of frost which should be removed by means of the special plastic scraper whenever it builds up to a thickness exceeding 4 mm. During this operation it is not necessary to cut off the power or to remove the food stored in the freezer.

When, on the other hand, a thick layer of ice has formed on the inner walls of the liner, it is necessary to completely defrost the freezer. We suggest you do this defrosting only after all frozen food contained in the freezer has been used up. To completely defrost the freezer proceed as follows:

remove any food stored in the freezer and wrap it in a piece of cloth or in several layers of newspaper and put it in a cool place.

Pull out the plug from the wall socket or turn the main control knob "A" - Fig. 3-a-b until the index coincides with symbol "0".

Leave the freezer compartment door open.

The defrost water should be collected into a basin to be placed under the gutter in the central part between base and door (Fig.7).

A small flexible hose (supplied in the plastic bag together with the operating instructions), to be used as a gutter extension, will make it easier to collect the defrost water.

When defrosting is completed, dry inner liner thoroughly, restart the appliance and after about half an hour replace the previously removed food.

Attention

A temperature increase of the frozen food packs during defrosting may shorten the storage life of the same.

Never use sharp metal tools to scrape off frost from the evaporator as you could thereby damage it beyond repair.

Maintenance

Always pull out the plug from the wall socket prior to undertaking any cleaning operation.

Clean the interior periodically with lukewarm water and some bicarbonate of soda, the cabinet exterior with lukewarm soapy water and every once in a while with some car polish (e.g. silicone wax). Clean the condenser on the back of the appliance, using a brush or vacuum cleaner, in order to increase heat dissipation: this will improve performance and save power.

During periods when the appliance is not in use, e.g. when you are going away on summer vacations, we suggest you take the following precautions:

- pull out the plug from the wall socket or set the main control knob ("A" Fig. 3-a-b) on position "0";
- remove all food from the appliance;
- clean the interior and all accessories;
- leave the doors ajar to facilitate the circulation of air in the interior so as to prevent the formation of unpleasant smells.

Customer service & spare parts

What to do if the appliance is not functioning properly.

If something is not working properly, check that:

The plug is firmly in the wall socket and the mains power switch is on; there is an electricity supply (find out by plugging in another appliance); the controls or thermostat knob are not on the "OFF" or "STOP" position.

Furthermore:

if the appliance seems too noisy, check that the sides are not touching furniture that can transmit or amplify a noise or a vibration.

Also, check that the piping of the refrigerant system does not vibrate.

If there are water drops on the bottom of the cabinet (this applies only to refrigerators with cyclic defrosting), check that the defrost water drain opening is not obstructed.

If your appliance is still not working properly after making the above checks, contact the nearest service center.

To obtain fast service, it is essential that when you apply for it you specify the model & serial number of your appliance which can be found either in the warranty or on the rating plate.

Replacing the interior light bulb

The light bulb of the refrigerator compartment can easily be reached.

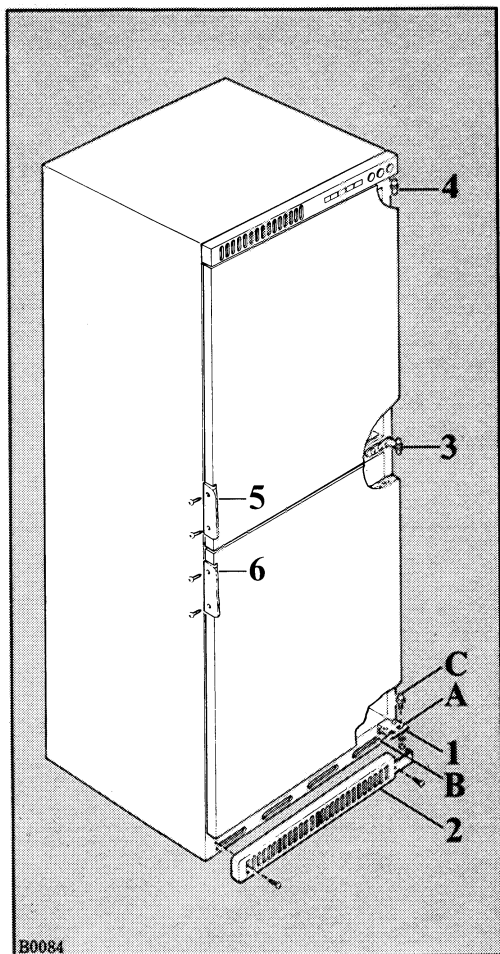
If the light does not come on when the the door is opened, check that the light bulb is correctly screwed in; if after this it still does not light up, replace the bulb.

Door reversal directions (Fig. 8)

Before carrying out the operations described below, pull out the mains plug from the wall socket.

To carry out this reversal go through the following steps:

- a) Remove base 2;
- b) Remove bottom hinge 1;
- c) Unscrew pin C from hole A and screw it down into hole B;
- d) Slide out the lower door from middle hinge 3 and remove the latter;
- e) Slide out the upper door from pin 4, unscrew the latter and then screw it down into the already existing hinge provided on the opposite side;
- f) Refit the upper door and the middle hinge on the opposite side;
- g) Refit the lower door and hinge 1 on the opposite side;
- h) Turn base 2 upside-down and refit it;
- i) Remove handles 6-7 and refit them on the opposite side.



B0084

fig.8

Panelling the doors (only for models with door frames)

Proceed as follows to fit the door panels:
Take off the removable section of the door frame from the opposite side with respect to the hinge after unscrewing the securing screws;

Unloose, without removing them, all securing screws of the door frame.
Slide in, on the side from which the removable section of the door frame was taken off, the covering panel and push it in all the way.

Fasten again the frame to the door, including the previously removed detachable frame section.

Note:

The door panels of the refrigerator & freezer compartments should have the following dimensions:

Width	599 mm
Height	793 mm
Thickness	4 mm



ZANUSSI STANDARD GUARANTEE CONDITIONS

This guarantee is in addition to your statutory and other legal rights which will not be excluded or in any way diminished by the return of the guarantee card.

We, IAZ International (UK) Ltd, undertake that if, within twelve months (24 months for TV sets) of the date of the purchase, this ZANUSSI appliance or any part thereof is proved to be defective by reason only of faulty workmanship or materials, we will, at our option, repair or replace the same **FREE OF ANY CHARGE** for labour, materials or carriage on condition that:

—The appliance has been correctly installed and used only on the electricity supply stated on the rating plate.

—The appliance has been used for normal domestic purposes only, and in accordance with the manufacturer's operating and maintenance instructions.

—The appliance has not been serviced, maintained, repaired, taken apart or tampered with by any person not authorised by us.

—The appliance is still in the possession of the original purchaser.

All service work under this guarantee must be undertaken by a Zanussi Network Service Centre (or the Zanussi Authorised TV Service Dealer).

Any appliance or defective part replaced shall become our property.

Exclusions

This guarantee does not cover:

—Damage or calls resulting from transportation, improper use or neglect, the replacement of any light bulbs or removable parts of glass or plastic.

—Costs incurred for calls to put right machines improperly installed or calls to machines outside the UK and the Republic of Ireland.

—Appliances found to be in use within a commercial environment, plus those which are the subject or rental agreements.

—Television receivers - routine adjustment, or poor reception resulting from a source outside of the receiver.



ZANUSSI 5 YEAR COVER CONDITIONS

For a once-only payment you can extend your Standard Guarantee to 5 years. All the conditions and exclusions of the Standard Guarantee apply.

Notes

1. Products supplied as "seconds", refurbished, damaged or shop-soiled are not eligible for Zanussi 5 year cover.
2. The issue of a cover does NOT by virtue of our having done so, nullify the exclusions.
3. The Engineer will need to check the details of your Cover card and may make a charge for his services if it is not presented to him at the time of his call.
4. The date of purchase, or the date of initial payment (deposit) of the appliance will be deemed the date of commencement of cover.
5. Covers issued are not refundable or transferable.

ZANUSSI

The appliance of science